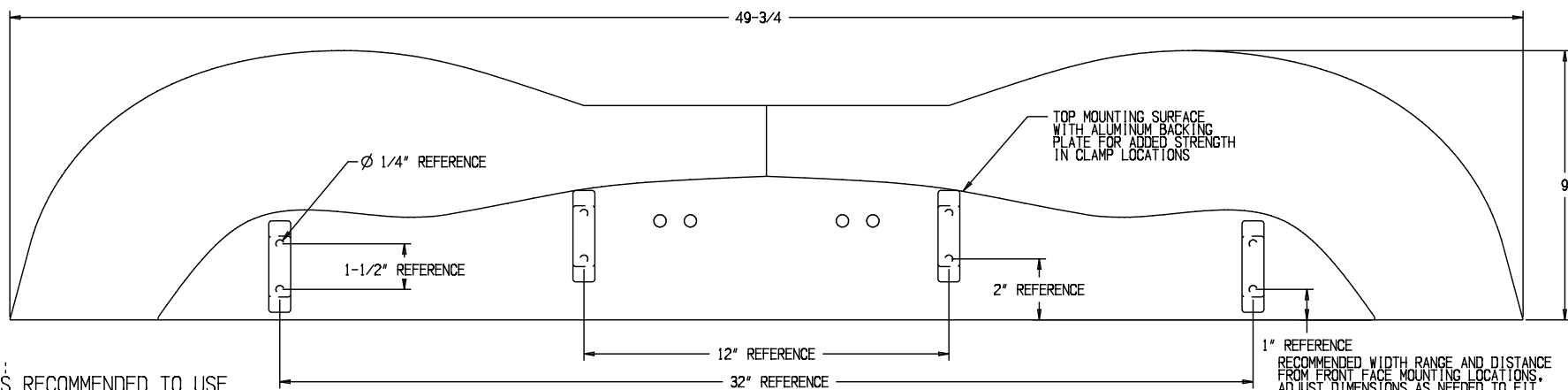
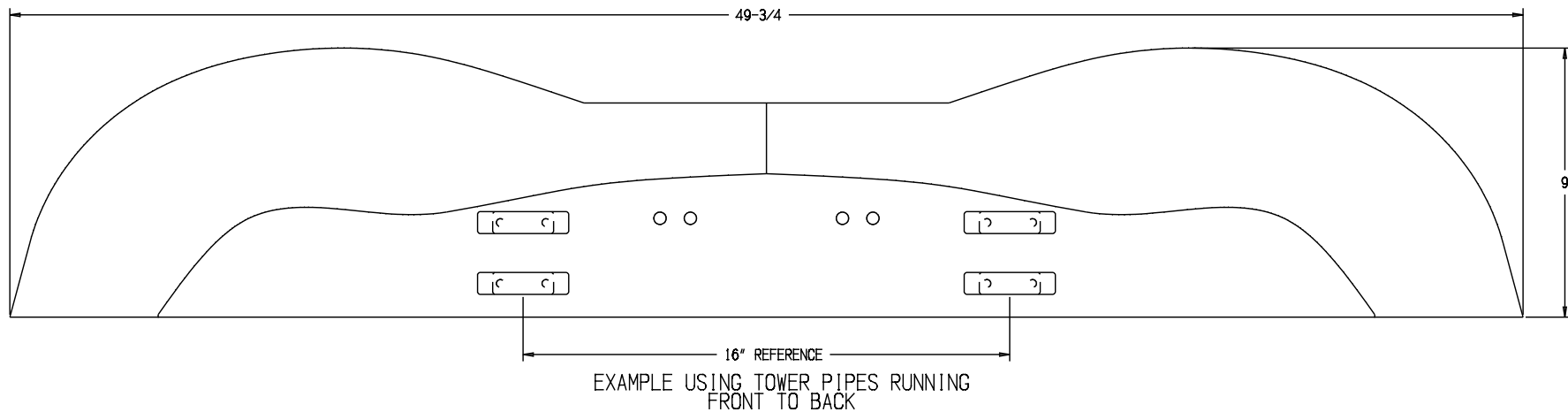


HSE TRIDENT GENERAL DIMENSIONS  
AND RECOMMENDED MOUNTING CLAMP LOCATIONS



NOTE:  
IT IS RECOMMENDED TO USE  
FOUR TOWER MOUNT CLAMPS  
TO ENSURE PROPER SUPPORT....

RECOMMENDED WIDTH RANGE AND DISTANCE FROM FRONT FACE MOUNTING LOCATIONS. ADJUST DIMENSIONS AS NEEDED TO FIT DESTINED TOWER. OTHER CLAMPS MAY HAVE DIFFERENT MOUNTING CONFIGURATIONS.

